



LED LINEAR TRACK LIGHT

Magnetic Track

Magnetic Track

LED LINEAR TRACK LIGHT

magnet lamp, easy install also easy movement after install, eye protect osram LED light source, square card shape modern design.

CONTENTS

- P3. Lighting
- P6. Track

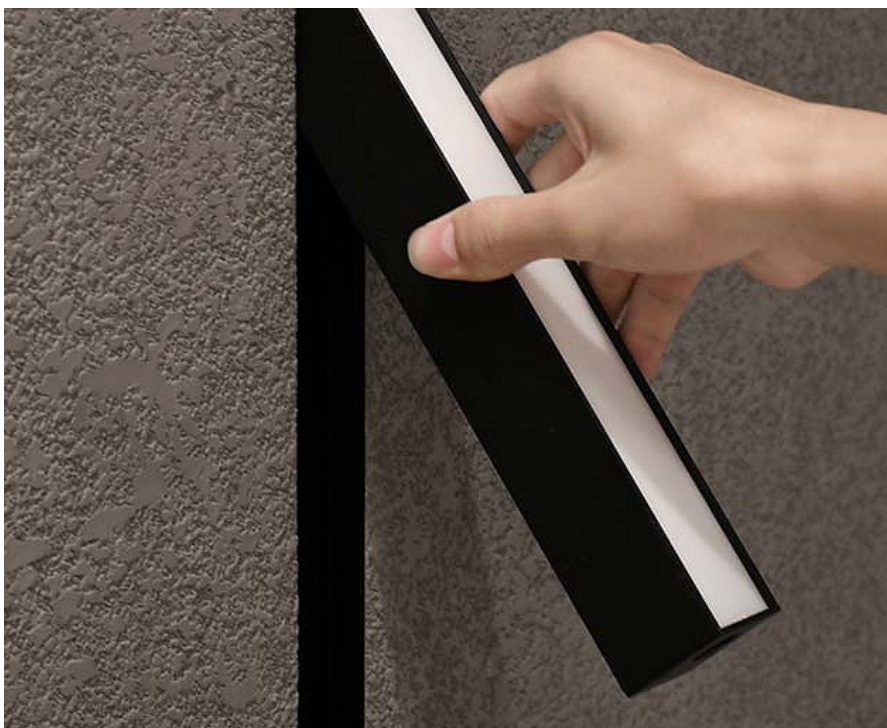
LINEAR LIGHT EN-MGMK481

Specification

- Input Voltage DC48V
- Beam Angle 100°
- LED Chip Osram
- Lumen Efficiency ≥80LM/W
- CRI >90
- CCT 3000K / 4000K / 6000K
- Light Type LED Linear Light
- Shell Color White or Black
- Material Aluminum + PC



MODEL	WATT	SIZE
EN-MGMK481-7W	7W	L300 x W22 x H25mm
EN-MGMK481-14W	14W	L600 x W22 x H25mm
EN-MGMK481-28W	28W	L1200 x W22 x H25mm



SPOT LINEAR LIGHT EN-MGMK482

Specification

- Input Voltage DC48V
- Beam Angle 30°
- LED Chip Osram
- Lumen Efficiency ≥80LM/W
- CRI >90
- CCT 3000K / 4000K / 6000K
- Light Type LED Spot Linear Light
- Shell Color White or Black
- Material Aluminum + PC



MODEL	WATT	SIZE
EN-MGMK482-6W	6W	L113 x W22 x H25mm
EN-MGMK482-12W	12W	L220 x W22 x H25mm
-	-	-



TRACK LIGHT EN-MGSD483

Specification

- Input Voltage DC48V
- Beam Angle 24°
- LED Chip Luminus
- Lumen Efficiency ≥80LM/W
- CRI >90
- CCT 3000K / 4000K / 6000K
- Light Type LED Track Light
- Shell Color White or Black
- Material Aluminum + PC



MODEL	WATT	SIZE
EN-MGSD483-12W	12W	Φ50 x 136mm
EN-MGSD483-20W	20W	Φ75 x 148mm

ADJUSTABLE LINEAR LIGHT EN-MGSD484

Specification

- Input Voltage DC48V
- Beam Angle 30°
- LED Chip Osram
- Lumen Efficiency ≥80LM/W
- CRI >90
- CCT 3000K / 4000K / 6000K
- Light Type Adjustable LED Linear Light
- Shell Color White or Black
- Material Aluminum + PC



MODEL	WATT	SIZE
EN-MGSD484-6W	6W	L113 x W22 x H135mm
EN-MGSD484-12W	12W	L220 x W22 x H135mm

PENDANT SPOT LIGHT EN-MGSD485

Specification

- Input Voltage DC48V
- Beam Angle 24°
- LED Chip Luminus
- Lumen Efficiency ≥80LM/W
- CRI >90
- CCT 3000K / 4000K / 6000K
- Light Type Pendant LED Spot Light
- Shell Color White or Black
- Material Aluminum + PC



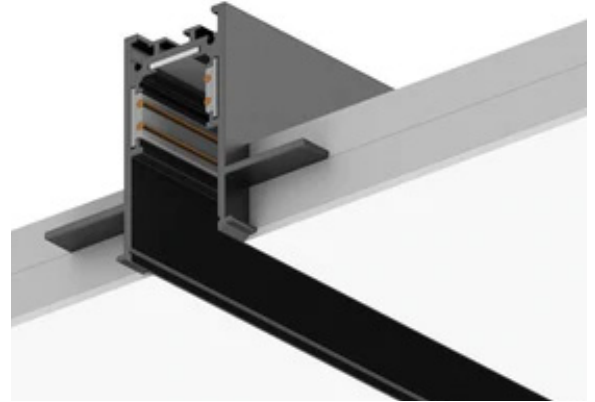
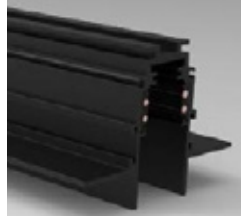
MODEL	WATT	SIZE
EN-MGSD485-9W	9W	Φ50 x 260mm



RECESSED TRACK EN-XM7255

Specification

- Input Voltage DC48V
- Wires 4 wires
- CCT 3000K / 4000K / 6000K
- Installation Typea Recessed
- Shell Color White or Black
- Material Aluminum
- Inner Width 23mm
- Cutting Hole Size W35-40mm, H>60mm



MODEL	INPUT MODULE	STANDARD	SIZE
EN-XM7255-1	Included	Direct Using	L1000 x W72 x H55mm
EN-XM7255-2	Not included	Connection using	L1000 x W72 x H55mm

CONNECTOR



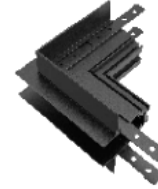
XM7255Z-L

- Angle L-90°
- Size L80 x L80mm
- Corner Bottom & Top



XM7255Z-LI

- Angle L-90°
- Size L62 x L62mm
- Corner In-line



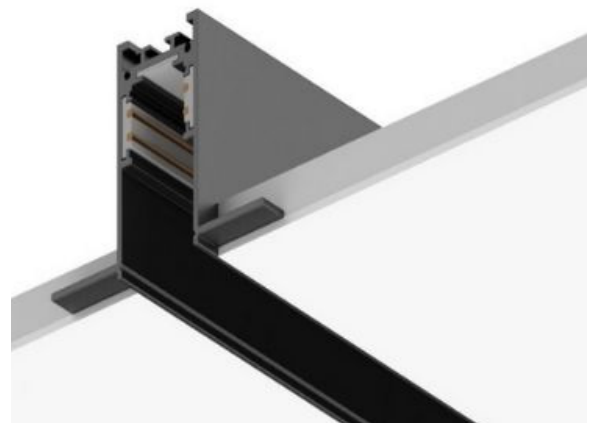
XM7255Z-LO

- Angle L-90°
- Size L62 x L62mm
- Corner Out-line

RECESSED TRACK EN-XM7155

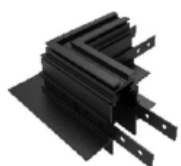
Specification

- Input Voltage DC48V
- Wires 4 wires
- CCT 3000K / 4000K / 6000K
- Installation Typea Recessed
- Shell Color White or Black
- Material Aluminum
- Inner Width 23mm
- Cutting Hole Size W35-40mm, H>60mm



MODEL	INPUT MODULE	STANDARD	SIZE
EN-XM7155-1	Included	Direct Using	L1000 x W71 x H55mm
EN-XM7155-2	Not included	Connection using	L1000 x W71 x H55mm

CONNECTOR



XM7155Z-L

- Angle L-90°
- Size L80 x L80mm
- Corner Bottom & Top



XM7155Z-LI

- Angle L-90°
- Size L62 x L62mm
- Corner In-line

RECESSED TRACK EN-XM4231

Specification

- Input Voltage DC48V
- Wires 4 wires
- CCT 3000K / 4000K / 6000K
- Installation Typea Recessed
- Shell Color White or Black
- Material Aluminum
- Inner Width 23mm
- Cutting Hole Size W35-40mm, H>60mm
- Size L1000 x W42 x H31mm



MODEL	INPUT MODULE	STANDARD
EN-XM4231-1	Included	Direct Using
EN-XM4231-2	Not included	Connection Using



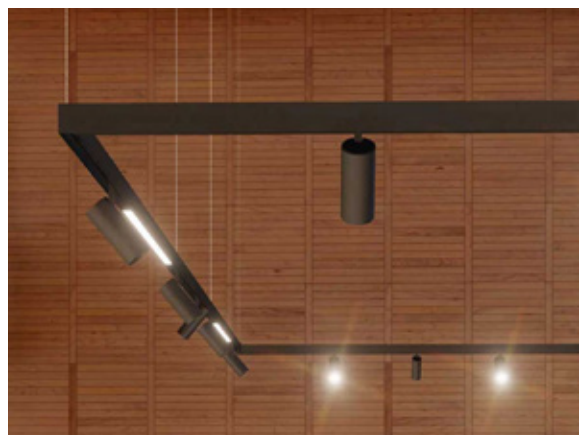
SUSPENDED TRACK EN-XM2753

Specification

- Input Voltage DC48V
- Wires 4 wires
- CCT 3000K / 4000K / 6000K
- Installation Typea Suspended
- Shell Color White or Black
- Material Aluminum
- Inner Width 23mm



MODEL	INPUT MODULE	STANDARD	SIZE
EN-XM2753-1	Included	Direct Using	L1000 x W27 x H53mm
EN-XM2753-2	Not included	Connection using	L1000 x W27 x H53mm

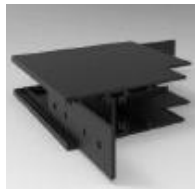


CONNECTOR



XM2753Z-L

- Angle L-90°
- Size L80 x L80mm
- Corner Bottom & Top



XM2753Z-LI

- Angle L-90°
- Size L62 x L62mm
- Corner In-line

SUSPENDED TRACK EN-XM2728

Specification

- Input Voltage DC48V
- Wires 4 wires
- CCT 3000K / 4000K / 6000K
- Installation Typea Suspended
- Shell Color White or Black
- Material Aluminum
- Inner Width 23mm
- Cutting Hole Size W35-40mm, H>60mm



MODEL	INPUT MODULE	STANDARD	SIZE
EN-XM2728-1	Included	Direct Using	L1000 x W27 x H28mm

CONNECTOR



XM2728Z-L

- Angle L-90°
- Size L80 x L80mm
- Corner Bottom & Top

RECESSED TRACK EN-XM8480

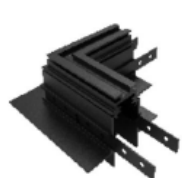
Specification

- Input Voltage DC48V
- Wires 4 wires
- CCT 3000K / 4000K / 6000K
- Installation Typea Recessed
- Shell Color White or Black
- Material Aluminum
- Inner Width 35mm
- Cutting Hole Size W45-50mm, H>80mm



MODEL	INPUT MODULE	STANDARD	SIZE
EN-XM8480-1	Included	Direct Using	L1000 x W84 x H80mm
EN-XM8480-2	Not included	Connection using	L1000 x W84 x H80mm

CONNECTOR



XM8480Z-L

- Angle L-90°
- Size L80 x L80mm
- Corner Bottom & Top



XM8480Z-LI

- Angle L-90°
- Size L62 x L62mm
- Corner In-line

SUSPENDED TRACK EN-XM3880

Specification

- Input Voltage DC48V
- Wires 4 wires
- CCT 3000K / 4000K / 6000K
- Installation Typea Suspended
- Shell Color White or Black
- Material Aluminum
- Inner Width 35mm
- Size L1000 x W38 x H80mm



MODEL	INPUT MODULE	STANDARD
EN-XM3880-1	Included	Direct Using
EN-XM3880-2	Not included	Connection Using

ACCESSORIES



XM23PJ-End Cap

end cap,for recessed type



XM23PJ-Input Module

Input module, with 2m wire



XM23PJ-Direct ConductiveModule

end cap,for recessed type



XM23PJ-Conner Conductive Module

end cap,for recessed type